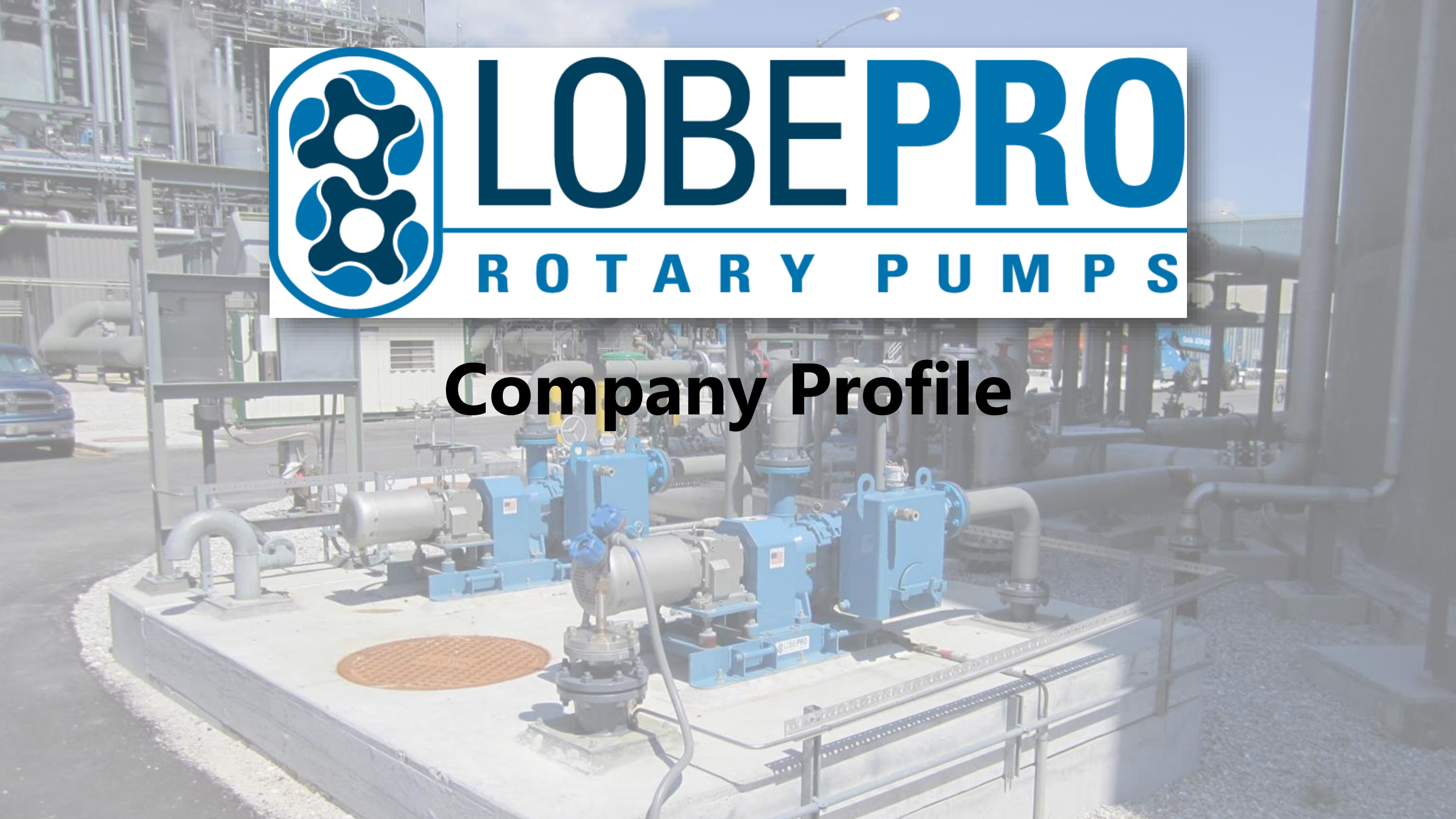




# LOBEPRO

ROTARY PUMPS

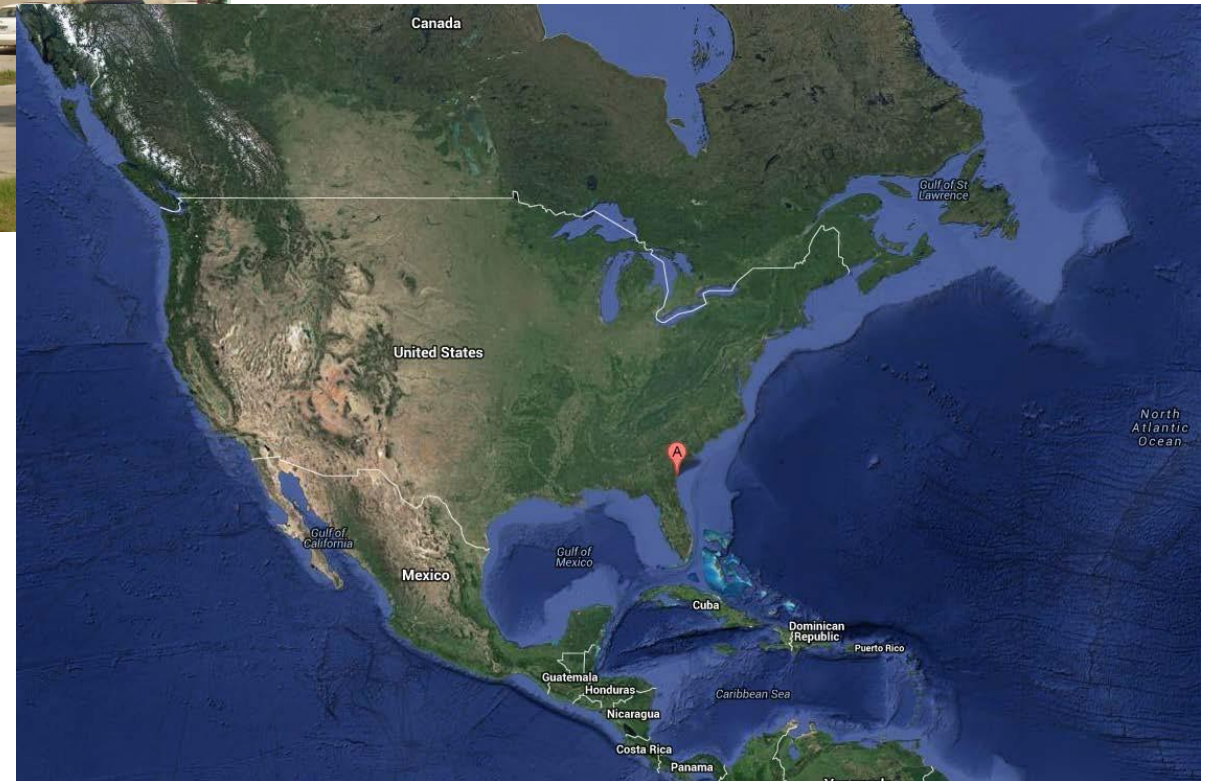
## Company Profile







**40,000 SQ. FT FACTORY & CORPORATE  
OFFICE IN BRUNSWICK, GEORGIA IN 2004**



**Our goal**, LobePro is Customer Service Driven and Oriented Company, Focusing on our customer's Needs to Provide the Support they Need to Get Each Job Done Quickly and Correctly.

**Our Vision** is to build rotary lobe pumps which are technically superior to our competitors and which are our customers' preferred choice in the application we target.

**Strategy to accomplish our vision by:**

1. Adhering to the principles of the ISO 9001: 2015 quality standard and striving for continual improvement.
2. Having a clear understanding of each customer's needs in our target applications.
3. Fast and on time delivery of pumps, wear parts and exchange pumps, which perform as promised.
4. Providing excellent customer service and provide assistance, tackle application & installation questions, problems, and warranty issues in a way that satisfies our customer.





# LobePro Story

Our story started in 1978. Back then we were called Holland Pump Manufacturing, based in West Palm Beach, Florida. Our primary business was sales and rentals of construction and dewatering pump equipment.



Today, we are privileged to expand and connect with customers everyday with our successful installations of our rotary lobe pumps in the municipal, industrial, oil and gas/petrochemical, power/energy/bio-energy, mining, food and beverages – water and wastewater, oily water, fuel and chemical transfer applications in the US and around the world.



# Our Rotary Lobe Pumps:

## Series:

- **S**-Series for sludge, slurry and general use applications.
- **C**-Series for chemical, corrosive, and special applications.
- **D**-Series for duplex pumps specially in the petrochemical and oil & gas applications.

## Pump Sizes & Frames:

### **S**- Small Frame

- Models: (S8, S16)

### **M**- Medium Frame

- Models: (M34, M50, M68, M100)

### **L**- Large Frame

- Models: (L133, L133h, L266, L266h, L399, L399h, L531, L531h)



# The LobePro Difference

## LobePro Rotary Pump Features

- Low Shear Application
- Excellent in Low to High Viscous Fluids
- Excellent in Solids Entrained Processes
- Reversible Operation
- Very Low Pulsation
- Maintenance In Place
- Variable or Measured Flow / Speed and Pressure Operation
- Very Low Suction Head (NPSH) Requirement
- Self Priming Operation up to 25 Feet Wet
- Excellent Space Saving , Compact Design.
- Excellent For Abrasive And Air Entrained Process Fluids.
- Dry Run Operation
- Made In The USA







# The LobePro Difference

LobePro engineers and staff will work with you to resolve these issues and more to show you what we mean by “Better Pumps. Better Support.”

This user was so pleased with the LobePro difference that they replaced the other unit as well.



# LobePro Capabilities

LobePro has produced a multitude of various designs, including:

- Trailers and mobile units
- Wall-mounted Units
- Vertical and side-mounted pumps
- Hydraulically-driven Pumps

This unit is our smallest yet, measuring only 1.5 ft x 1.5 ft x 2.5 ft.





# LobePro Capabilities

## Quality Control / Quality Assurance

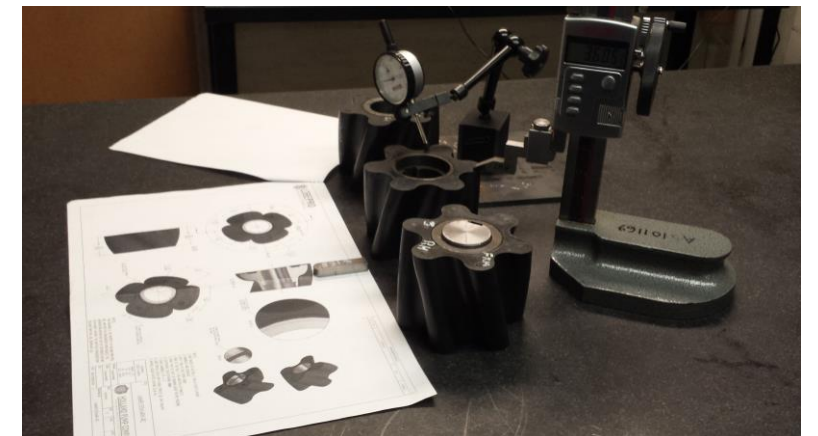
- Full in-house Quality Assurance Test & Inspection for Parts, Pumps and Pump System
- Performance Test
- Hydrostatic Test
- Final Assembly / Cleanliness Test
- In-house Machining Inspection
- Plasma Machine, Cutting & Press Brake Inspections
- Surface Preparation Test, Pressure Test and Welding Inspection prior to painting
- Pump Clearance Checks & Assembly
- Customer Inspection & Test Plans conformance
- Non-Destructive Tests
- Shipping Inspections



FINAL ASSEMBLY INSPECTION



PLASMA CUTTER CHECK

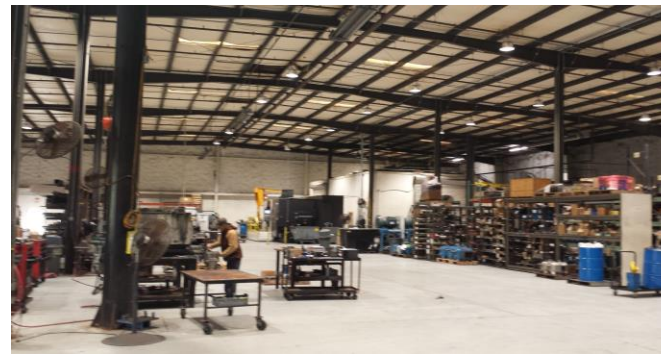


PARTS INSPECTION

# LobePro Capabilities

## FABRICATION & MACHINERY

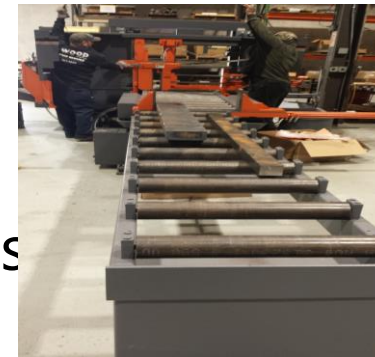
- Full in-house shop and fabrication
- Welding / Certified welders / ASME IX / WPS
- Full Assembly & Testing
- Four (4) Axis Milling Machine
- Lathe with live tooling and Turning capabilities
- CAM (Computer Aided Machining) Support
- Cutting , Self Feeding Band Saw
- Surface Preparation / Sand Blasting
- Dwindraft Paint Booth
- Plasma Cutter up to 1" thick material
- Press Brake / Forming & Bending Machine



FABRICATION / PRODUCTION SHOP



PRESS BRAKE



SELF FEEDING BAND SAW



4-AXIS MILLING MACHINE



3 AXIS LATHE MACHINE



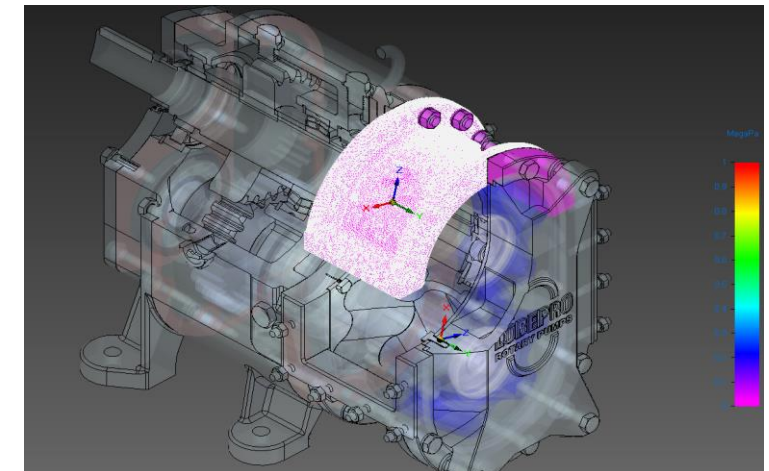
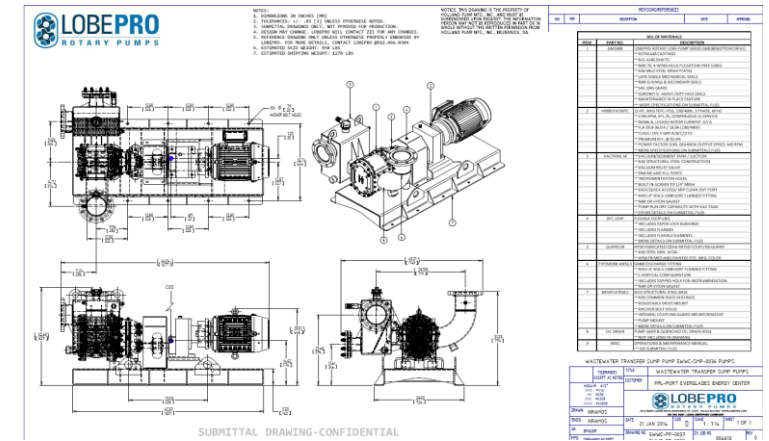
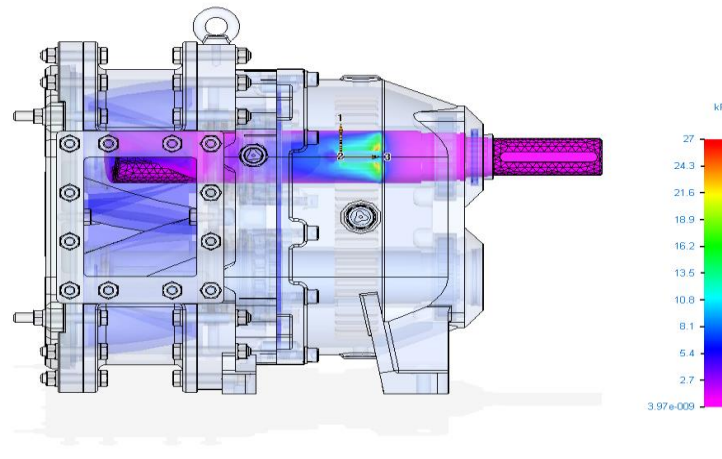
PLASMA CUTTING MACHINE



# LobePro Capabilities

## ENGINEERING / R & D

- Full in-house technical, design & engineering
- Applications Engineering
- Custom pump and pump system design for specific applications
- Experienced engineers in different industrial processes
- Engineers are all based in the US
- Technical Support direct from our Engineering Team
- Onsite support for Start-up, Commissioning & Training
- 3D CAD Design Programs (Solid Works / Solid Edge / AutoCAD )
- Drafting & Project Drawings generation
- BOM Generation
- Project specifications and documentations review & proposal
- Design review and collaboration with customer's engineering
- Research & Development



# LobePro Capabilities

## Spare Parts & Inventory

LobePro parts & inventory control because we manufacture most of the major and critical parts of our rotary lobe pumps

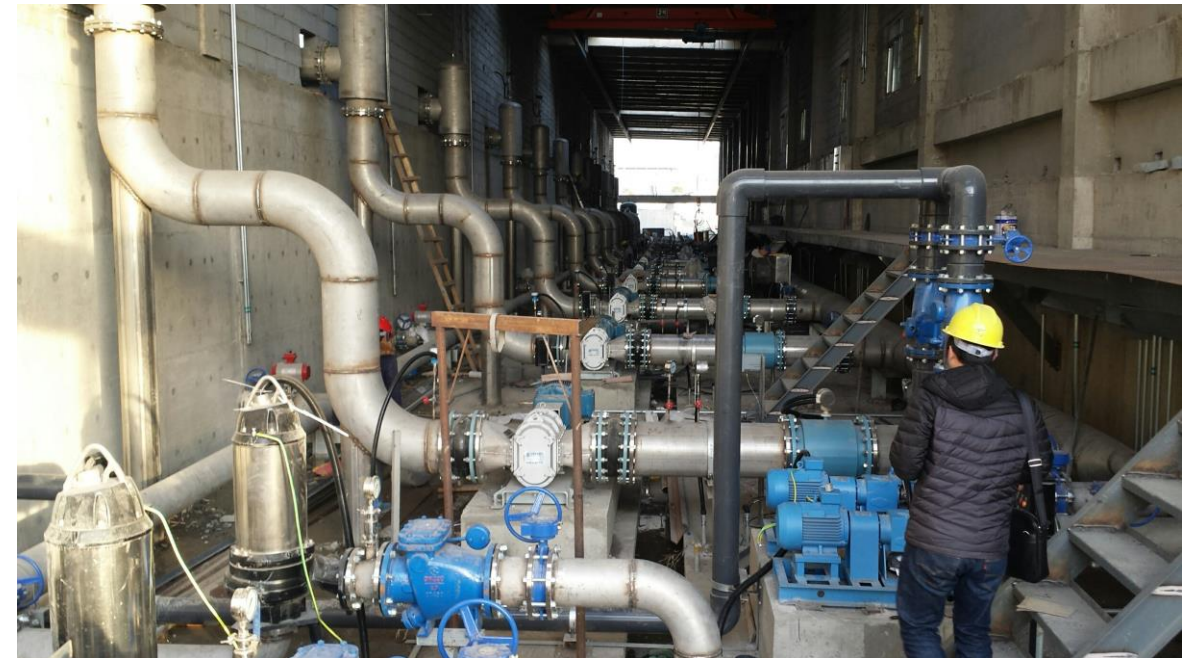
- Spare parts availability in 2 business days after receipt of order





# Industries Served & Installations

## MBR & Water Treatment Systems





# Industries Served & Installations

## Oily Water / Wastewater Pump Systems





# Industries Served & Installations

## Oil & Fuel Transfer (Loading/Off Loading)





# Industries Served & Installations

## Drilling Mud / Oil Waste & Slurry





# Industries Served & Installations

## Oil & Gas



# Industries Served & Installations

## Power & Energy





# Industries Served & Installations

## Chemical Industry





# Industries Served & Installations

## Mining Industry





# Industries Served & Installations

## Bio-Fuel / Biomass



# Some Companies We Served, Provided & Developed Rotary Lobe Pump & Systems Include:

